



### Features

- Cover plates to isolate stations of the M series bar manifolds.
- Covers allow easy removal to add a valve at a later time.
- Permits the use of the same M series manifold for applications requiring varied valve stations
- Mounting bolts and o-rings included in supply/
- Material option of clear anodized aluminum (3000PSI rated) or black galvanized steel (5000psi rated)



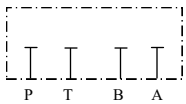
### Ordering Details

C	Cover Plate
A	Material: A=Aluminum, S=Steel
6-	Mounting Size
M-	Metric Bolts thread
1	Series

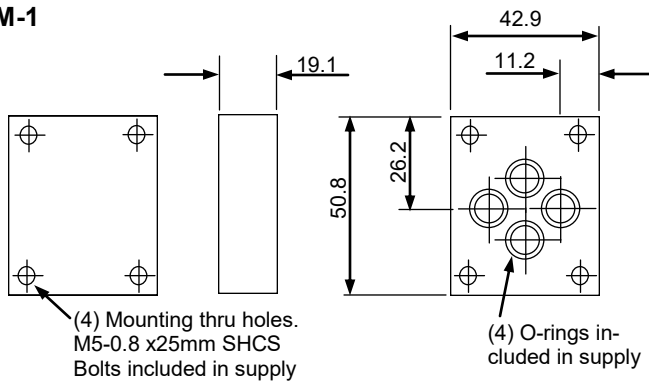
Code	Size
4	NG4 (D02)
6	NG6 (D03)
10	NG10 (D05)
16	NG16 (D07)

Example Part Number: CA6-M-1

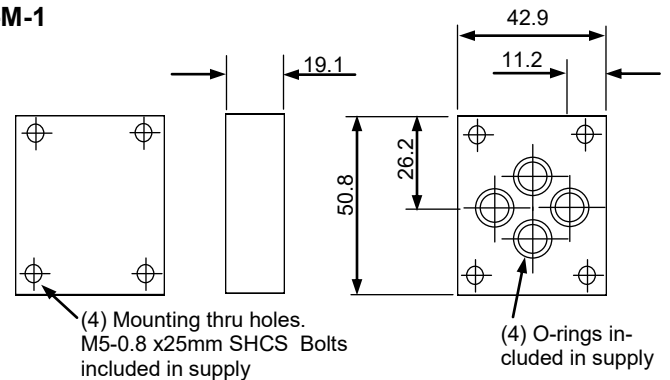
### Dimensional Data, (Dimensions in mm)



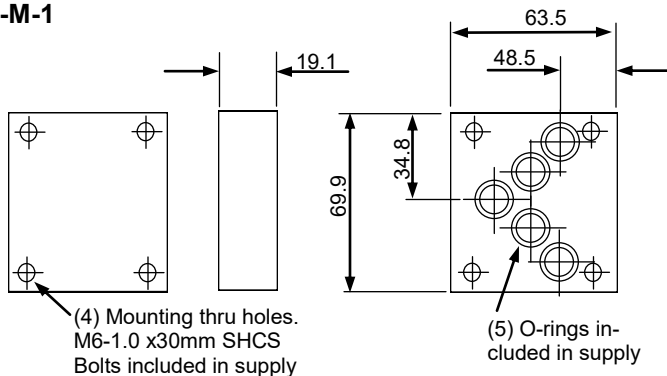
#### CA4-M-1



#### CA6-M-1



#### CA10-M-1



#### CA16-M-1

